



MIGHTY Euro 6 - EX6/9



KEY FEATURES	KEY SPECIFICATIONS
Allison Automatic Transmission	GVM EX6/EX9 5995/6500/8500
Lane Departure Warning System	Engine 3.9L Diesel 4 Cylinder Turbo Euro 6
Forward Collision Avoidance Assist	Power 170hp@2,500rpm (Auto), 140hp @2,800rpm (Man)
Traction Control System (TCS) / Hill Start Assist (HSA)	Torque 608Nm@1,400rpm (Auto)
Vehicle dynamic Control (VDC)	EX6 Transmission 6 Speed Automatic 5 Speed Manual
Four Wheel Disc Brakes	EX9 Transmission 6 Speed Automatic 6 Speed Manual
SRS Airbags Driver & Passenger	Wheelbase SWB 2.85m, MWB 3.4m, LWB 3.85m, ELWB 4.2m
Warranty - 5 years, or 300,000km*	

READY BUILT. READY TO WORK.

*Terms and conditions apply.

ENGINE

Engine Model (AT/MT)	Hyundai D4GA17 / D4GA14
Engine Type	Diesel, 3.9L (Euro 6) Inline 4 Cylinder Turbo
Max. Output (AT/MT)	170hp @2,500rpm / 140hp @2,800rpm
Max. Torque (AT/MT)	608Nm @1,400rpm / 392Nm @1,400rpm

BRAKES

Type	4 wheel Disc Brakes
Actuation	Hydraulic with vacuum servo assistance, dual circuit
Parking Brake	Internal expanding type on propeller shaft at the rear of transmission assembly

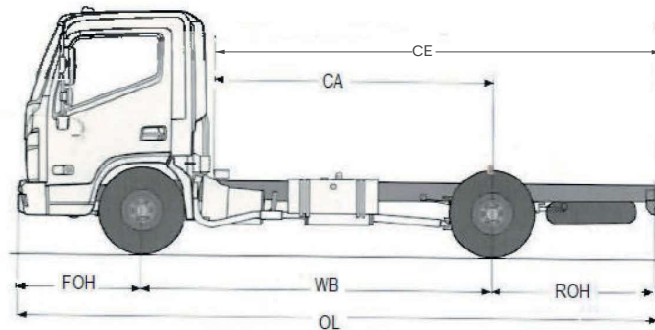
SAFETY FEATURES

Lane Departure Warning System
Forward Collision Avoidance Assist
Vehicle Dynamic Control
Electronic Stability Control
Anti-lock Brake System
Traction Control System
Daytime Running Lights
SRS Airbag Driver & Passenger
Hill Start Assist
Cruise Control
Driver's Suspension Seat

WHEELS & TYRES

Wheel Type	Single Front, Dual Rear
Wheel Size	Front, Rear: 17.5 x 5.25
Material	Steel
EX6 Tyre Size	Front: 205/75R17.5 Rear: 205/75R17.5
EX9 Tyre Size	Front: 215/75R17.5 Rear: 215/75R17.5



DIMENSIONS – (mm) / WEIGHTS – (kg)

EX6

Wheelbase	SWB	MWB	LWB		SWB	MWB	LWB
Wheelbase (WB)	2,850	3,400	3,850	Front Track (FT)	1,695	1,695	1,695
Overall Length (OL)	5,300	6,110	6,620	Rear Track (RT)	1,575	1,575	1,575
Overall Width (OW)	2,020	2,020	2,020	Curb Weight	2,620	2,635	2,715
Overall Height (OH)	2,278	2,278	2,278	Front Curb Weight	1,750	1,775	1,800
Cab to Axle (CA)	2,260	2,810	3,260	Rear Curb Weight	870	860	915
Front Over Hang (FOH)	1,125	1,125	1,125	Gross Vehicle Weight	5,995/6500	5,995/6,500	5995/6500
Rear Over Hang (ROH)	1,260	1,520	1,580	Front Axle Capacity	2,760	2,760	2,760
Cab to End (CE)	3,461	4,256	4,781	Rear Axle Capacity	4,700	4,700	4,700

EX9

Wheelbase	SWB	MWB	LWB	EXLWB		SWB	MWB	LWB	EXLWB
Wheelbase (WB)	2,850	3,400	3,850	4200	Front Track (FT)	1,680	1,680	1,680	1,680
Overall Length (OL)	5,300	6,110	6,620	7,370	Rear Track (RT)	1,650	1,650	1,650	1,650
Overall Width (OW)	2,020	2,020	2,020	2,020	Curb Weight	2,945	3,045	3,115	3,195
Overall Height (OH)	2,278	2,278	2,278	2,278	Front Curb Weight	1,915	1,980	2,025	2,077
Cab to Axle (CA)	2,134	2,673	3,188	3,551	Rear Curb Weight	1,030	1,065	1,090	1,118
Front Over Hang (FOH)	1,125	1,125	1,125	1,125	Gross Vehicle Weight	8,500	8,500	8,500	8,500
Rear Over Hang (ROH)	1,260	1,520	1,580	1,980	Front Axle Capacity	3,100	3,100	3,100	3,100
Cab to End (CE)	3,461	4,256	4,781	5,531	Rear Axle Capacity	7,200	7,200	7,200	7,200

HYUNDAI MIGHTY WARRANTY

LIGHT DUTY RANGE	AXLE CONFIGURATION	STANDARD WARRANTY (which ever comes first)	CAB CORROSION / PERFORATION
MIGHTY EX6/9	4X2	5 Years or 300,000km (effective from 2021 production)	5 years

Battery warranty – 12 months from date of delivery

* For conditions, refer to the Hyundai Trucks Parts & Service warranty manual

Disclaimer: Hyundai Trucks New Zealand reserves the right to alter vehicle specifications and equipment levels without notice. Some equipment featured on the vehicle in this brochure may not be available in New Zealand or may be optional to the extent permitted by the law. Hyundai Trucks New Zealand shall not be liable to any person as a result of reliance on the content of this document. Please consult your Hyundai Truck Dealer for the latest specifications, equipment levels, options, prices, colours and vehicle availability. Note: Information in this brochure is current as at 31/10/2024.

LOOKING FOR SOMETHING ELSE? TALK TO US ABOUT CUSTOMISED SOLUTIONS

AVAILABLE FACTORY BODY OPTIONS

EX9 RUBBISH COMPACTOR - Press Plate Rear Eject

	SWB	MWB	LWB
Body Volume	4.5m ³	6m ³	7.5m ³

*Customised options available. Talk to our team about how we can help.



TOOL BOX TIPPER

Length x Width x Height	EX6 - MWB	EX9 - LWB
Dimensions	3,100mm x 1,860mm x 400mm	3,540mm x 1,860mm x 400mm
Tool Box Size	750mm	750mm

*Customised options available. Talk to our team about how we can help.



EX6 BOX TAIL LIFT

Length x Width x Height	SWB	MWB
Dimensions (Internal)	3,600mm x 2,230mm x 2,100mm	4,300mm x 2,230mm x 2,100mm

1 tonne full height cantilever tail lift. Option of 1.5 tonne tail lift also available.

*Customised options available. Talk to our team about how we can help.



REFRIGERATED

Length x Width x Height	EX6 SWB	EX6 MWB	EX9 LWB
Dimensions (Internal)	3,600mm x 2,100mm x 1,900mm	4,200mm x 2,390mm x 1,900mm	4850mm x 2230mm x 2100mm

*Customised options available. Talk to our team about how we can help.

*Your choice of locally fitted refrigerator.

