

## RCD/RCG Plus Technical Data Diesel and LPG Forklift Trucks

---

RCD/RCG 25 Plus

RCD/RCG 30 Plus

RCD/RCG 35 Plus





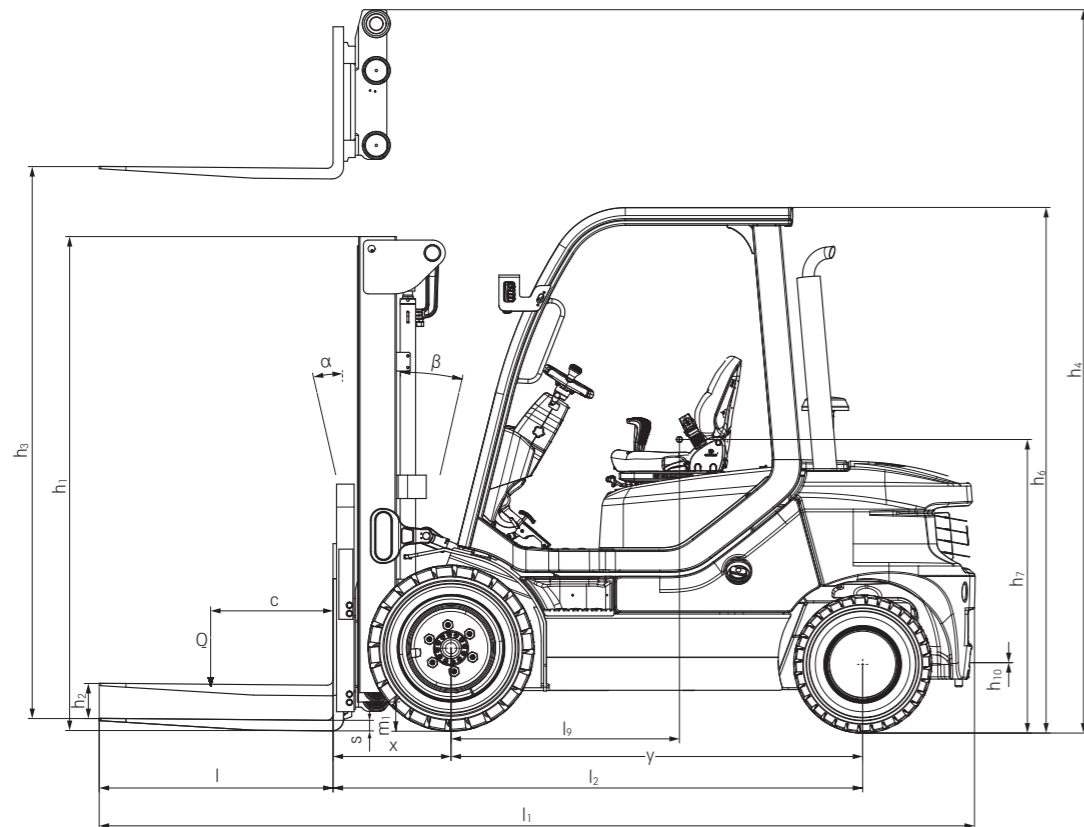
				STILL	STILL	STILL	STILL	STILL	STILL			
Features	1.1	Manufacturer										
	1.2	Manufacturer's type designation		<b>RCD 25 Plus</b>	<b>RCD 30 Plus</b>	<b>RCD 35 Plus</b>	<b>RCG 25 Plus</b>	<b>RCG 30 Plus</b>	<b>RCG 35 Plus</b>			
	1.3	Drive		Diesel	Diesel	Diesel	LPG	LPG	LPG			
	1.4	Operation		Seated	Seated	Seated	Seated	Seated	Seated			
	1.5	Load capacity/load	Q	kg	2500	3000	3500	2500	3000	3500		
	1.6	Load centre distance	c	mm	500	500	500	500	500	500		
	1.8	Load distance	x	mm	494	504	509	494	504	509		
	1.9	Wheel base	y	mm	1760	1760	1760	1760	1760	1760		
	Weights	2.1	Service weight									
2.2		Axle load, laden	front/rear	kg	5815/760	6594/916	7345/1075	5860/840	6700/960	7400/1140		
2.3		Axle load, unladen	front/rear	kg	1890/2185	1883/2627	1848/3072	1880/2300	1980/2700	1840/3200		
Wheels/chassis	3.1	Tyres			Pneumatic	Pneumatic	Pneumatic	Pneumatic	Pneumatic			
	3.2	Tyre size	front		28x9-15/18PR	28x9-15/18PR	28x9-15/18PR	28x9-15/18PR	28x9-15/18PR	28x9-15/18PR		
	3.3	Tyre size	rear		6.5-10/14PR	6.5-10/14PR	6.5-10/14PR	6.5-10/14PR	6.5-10/14PR	6.5-10/14PR		
	3.5	Number of wheels (x = driven)			2x/2	2x/2	2x/2	2x/2	2x/2	2x/2		
	3.6	Track width	front	b <sub>10</sub>	mm	1030	1030	1030	1030	1030		
	3.7	Track width	rear	b <sub>11</sub>	mm	953	953	953	953	953		
Basic dimensions	4.1	Tilt of mast/fork carriage	forward/backward	α/β	°	6/12	6/12	6/12	6/12	6/12		
	4.2	Height of mast	mast retracted	h <sub>1</sub>	mm	2147	2147	2147	2147	2147		
	4.3	Free lift			h <sub>2</sub>	mm	150	150	150	150		
	4.4	Lift			h <sub>3</sub>	mm	3000	3000	3000	3000		
	4.5	Height of mast	mast extended	h <sub>4</sub>	mm	3725	3725	3725	3725	3725		
	4.7	Height of overhead guard (cabin)			h <sub>6</sub>	mm	2231	2231	2231	2231		
	4.8	Seat height rel. to SIP/stand height			h <sub>7</sub>	mm	1223	1223	1223	1223		
	4.12	Coupling height			h <sub>10</sub>	mm	310	310	310	310		
	4.19	Overall length			l <sub>1</sub>	mm	3735	3745	3830	3735	3745	
	4.20	Length including fork backs			l <sub>2</sub>	mm	2735	2745	2830	2735	2745	
	4.21	Overall width			b <sub>1</sub> /b <sub>2</sub>	mm	1265	1265	1265	1265	1265	
	4.22	Fork dimensions			s/e/l	mm	45/100/1000	45/122/1000	50/150/1000	45/100/1000	45/122/1000	50/150/1000
	4.23	Fork carriage ISO 2328, class/form A, B					IIA	IIIA	IIIA	IIA	IIIA	
	4.24	Fork carriage width			b <sub>3</sub>	mm	1040	1100	1100	1040	1100	
	4.31	Ground clearance below mast, laden			m <sub>1</sub>	mm	146	145	144	146	145	
	4.32	Ground clearance, centre of wheel base			m <sub>2</sub>	mm	163	161	159	163	161	
	4.33	Working aisle width with 1000 x 1200 pallet crossways			A <sub>st</sub>	mm	4145	4145	4220	4145	4145	
4.34	Working aisle width with 800 x 1200 pallet lengthways			A <sub>st</sub>	mm	4345	4345	4420	4345	4345		
4.35	Turning radius			W <sub>a</sub>	mm	2440	2440	2510	2440	2440		
4.36	Smallest pivot point distance			b <sub>13</sub>	mm	673,5	673,5	673,5	673,5	673,5		
Performance data	5.1	Driving speed	laden/unladen		km/h	17.2/17.5	17.2/17.5	17.2/17.5	18.3/18.5	18.3/18.5	18.3/18.5	
	5.2	Lifting speed	laden/unladen		m/s	0.51/0.57	0.51/0.57	0.51/0.57	0.50/0.58	0.45/0.58	0.40/0.58	
	5.3	Lowering speed	laden/unladen		m/s	0.40/0.45	0.40/0.45	0.40/0.45	0.40/0.45	0.40/0.45	0.40/0.45	
	5.5	Drawbar pull	laden/unladen		N	16855/10489	16500/11100	16300/10900	14340/12620	15110/13890	16580/10971	
	5.7	Gradeability	laden/unladen		%	26/26	22/25	20/22	22/24	20/22	18/20	
	5.9	Acceleration time	laden/unladen		s	5.4/4.4	5.5/4.9	5.9/5.4	5.4/4.6	5.65/5.1	5.8/5.2	
	5.10	Service brake					Mechanical/hydraulic	Mechanical/hydraulic	Mechanical/hydraulic	Mechanical/hydraulic	Mechanical/hydraulic	
	7.1	Engine manufacturer/type					Weichai WP3.2	Weichai WP3.2	Weichai WP3.2	Hyundai/PM02-OOF04	Hyundai/PM02-OOF04	Hyundai/PM02-OOF04
	7.2	Engine performance in accordance with ISO 1585			kW	36.8	36.8	36.8	40.2	40.2	40.2	
	7.3	Nominal speed			l/min	2300	2300	2300	2600	2600	2600	
IC engine	7.4	Number of cylinders/capacity			cm <sup>3</sup>	4/3170	4/3170	4/3170	4/2392	4/2392	4/2392	
	7.5	Fuel consumption in accordance with EN 16796			l/h kg/h	3.2	3.3	3.4	3.4	3.45	3.7	
	7.6	Handling capacity in accordance with EN 16796			t/h	191	238	281	179	222	238	
	7.7	Energy consumption at handling capacity in accordance with EN 16796			t/l	37	40	45	42	52	54	
	7.10	Battery voltage/nominal capacity			V/Ah	12/80	12/80	12/90	12/90	12/90	12/90	
Miscellaneous	8.1	Type of drive unit				Hydrodynamic	Hydrodynamic	Hydrodynamic	Hydrodynamic	Hydrodynamic	Hydrodynamic	
	10.1	Operating pressure for attachments			bar	165	185	205	165	185	206	
	10.2	Oil volume for attachments			l/min	30	30	30	30	30	30	
	10.4	Fuel tank, capacity			l/kg	62.7	62.7	62.7	11	11	11	
	10.7	Sound pressure level 1 L <sub>pa,z</sub> (operator's position) in accordance with EN 12053			dB(A)	85	85	85	88	88	88	

RCD/RCG Plus Diesel and LPG Forklift Trucks  
Mast Tables

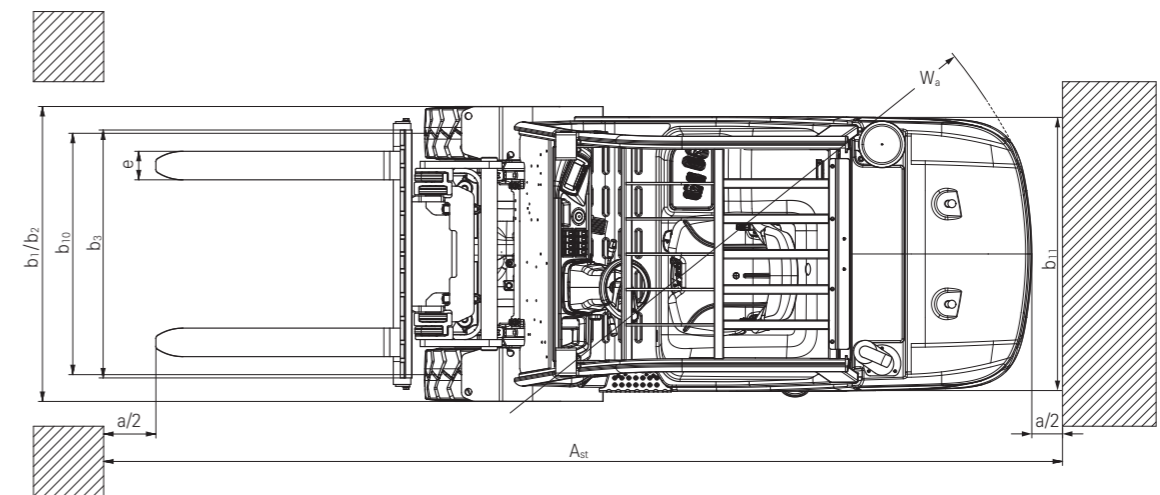


			Telescopic mast							HiLo mast					Triplex mast								
			3000	3250	3500	4000	4500	5000	5500	3000	3300	3500	4000	4500	4350	4500	4650	4800	5000	5500	6000	6500	
RCD/RCG 25 Plus	Nominal lift	$h_3$	mm	3000	3250	3500	4000	4500	5000	5500	3000	3300	3500	4000	4500	4350	4500	4650	4800	5000	5500	6000	6500
	Height	$h_1$	mm	2147	2247	2447	2747	2997	3247	3497	2112	2312	2412	2712	2962	2162	2212	2212	2212	2412	2662	2912	3112
	Free lift	$h_2$	mm	150	150	150	150	150	150	150	1353	1553	1653	1953	2203	1403	1453	1453	1453	1653	1903	2153	2353
	Free lift with load backrest	$h_2$	mm								1053	1253	1353	1653	1903	1103	1153	1153	1153	1353	1603	1853	2053
	Height, mast extended	$h_4$	mm	3725	3975	4225	4725	5225	5725	6225	3762	4062	4262	4762	5262	5112	5262	5412	5562	5762	6262	6762	7262
	Height, mast extended, with load backrest	$h_4$	mm	4055	4355	4555	5055	5555	6055	6555	4055	4355	4555	5055	5555	5405	5555	5705	5855	6055	6555	7055	7555
	Tilt angle	forward/backward	$\alpha/\beta$																				
	Fork lock-in position centre-centre		mm	124/280/436/592/748/904							124/280/436/592/748/904					144/348/552/756/960							
	Fork lock-in position centre-centre (built-in sideshift)		mm	160/330/500/670/840							160/330/500/670/840					160/350/540/730/920							
	Tyres	front/rear		28X9-15/6,5-10							28X9-15/6,5-10					28X9-15/6,5-10							
Track	front/rear	mm	1030/953							1030/953					1030/953								
Maximum width	$b_1$	mm	1265							1265					1265								
RCD/RCG 30-35 Plus	Nominal lift	$h_3$	mm	3000	3250	3500	4000	4500	5000	5500	3000	3300	3500	4000	4500	4350	4500	4650	4800	5000	5500	6000	6500
	Height	$h_1$	mm	2147	2247	2447	2747	2997	3247	3497	2112	2312	2412	2712	2962	2162	2212	2212	2212	2412	2662	2912	3112
	Free lift	$h_2$	mm	150	150	150	150	150	150	150	1353	1553	1653	1953	2203	1403	1453	1453	1453	1653	1903	2153	2353
	Free lift with load backrest	$h_2$	mm								1053	1253	1353	1653	1903	1103	1153	1153	1153	1353	1603	1853	2053
	Height, mast extended	$h_4$	mm	3725	3975	4225	4725	5225	5725	6225	3762	4062	4262	4762	5262	5112	5262	5412	5562	5762	6262	6762	7262
	Height, mast extended, with load backrest	$h_4$	mm	4055	4305	4555	5055	5555	6055	6555	4055	4555	4555	5055	5555	5405	5555	5705	5855	6055	6555	7055	7555
	Tilt angle	forward/backward	$\alpha/\beta$																				
	Fork lock-in position centre-centre		mm	144/348/552/756/960							144/348/552/756/960					144/348/552/756/960							
	Fork lock-in position centre-centre (built-in sideshift)		mm	160/350/540/730/920							160/350/540/730/920					160/350/540/730/920							
	Tyres	front/rear		28X9-15/ 6,5-10							28X9-15/ 6,5-10					28X9-15/ 6,5-10							
Track	front/rear	mm	1030/953							1030/953					1030/953								
Maximum width	$b_1$	mm	1265							1265					1265								

Technical Drawings



RCD/RCG Plus side view

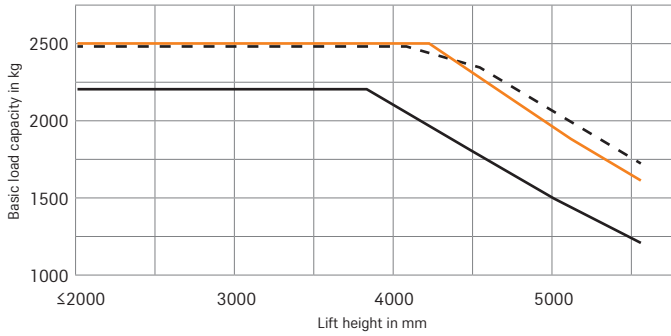


RCD/RCG Plus top view

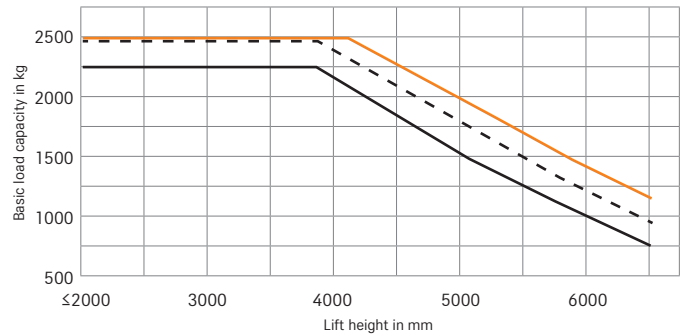
# RCD/RCG Plus Diesel and LPG Forklift Trucks

## Basic Load Capacities

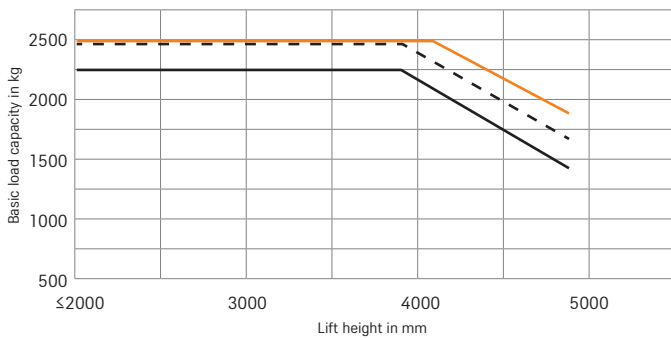
RCD/RCG 25 Plus  
Telescopic/HiLo mast - Superelastic tyres



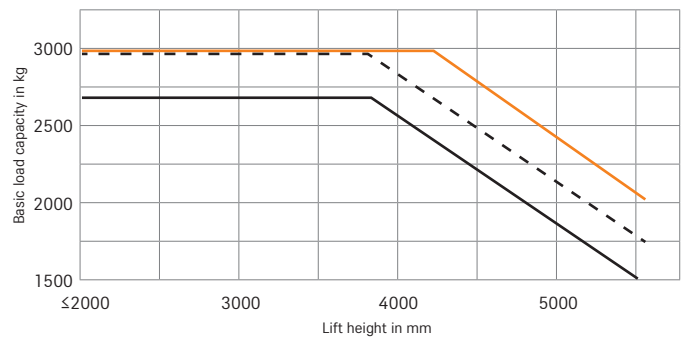
RCD/RCG 25 Plus  
Triplex mast - Superelastic tyres



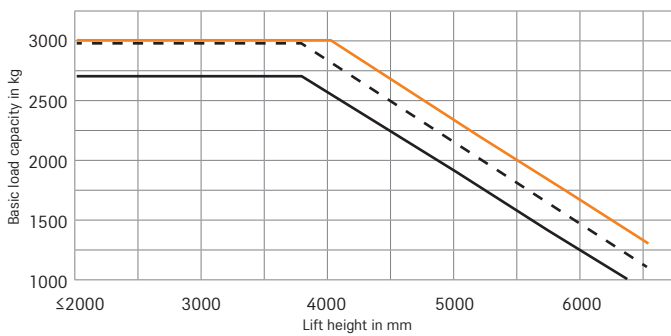
RCD/RCG 25 Plus  
Triplex mast 4800 mm - Superelastic tyres



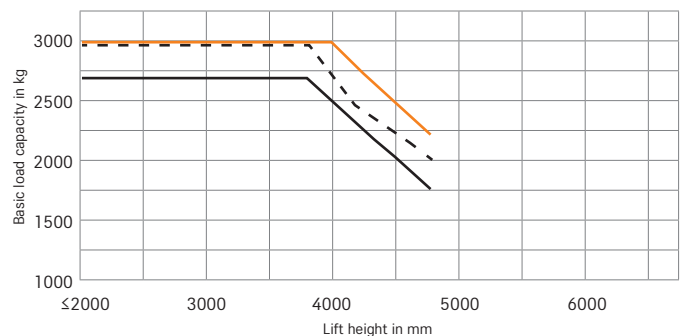
RCD/RCG 30 Plus  
Telescopic mast - Superelastic tyres



RCD/RCG 30 Plus  
Triplex mast - Superelastic tyres

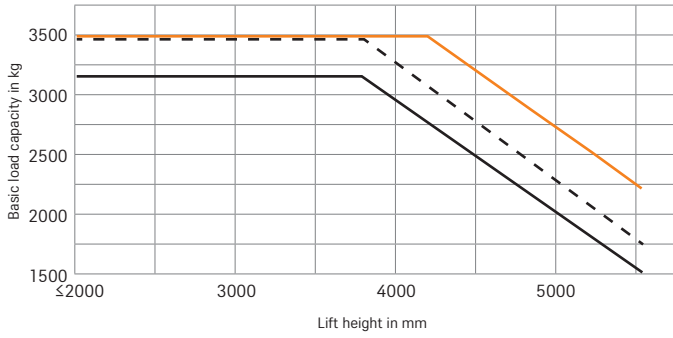


RCD/RCG 30 Plus  
Triplex mast 4800 mm - Superelastic tyres

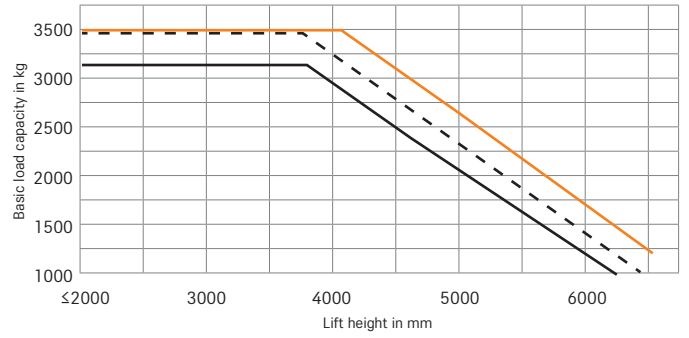


— Standard fork carriage    - - - Integrated side shifter    — Fitted side shifter  
Values may vary depending on the truck equipment.

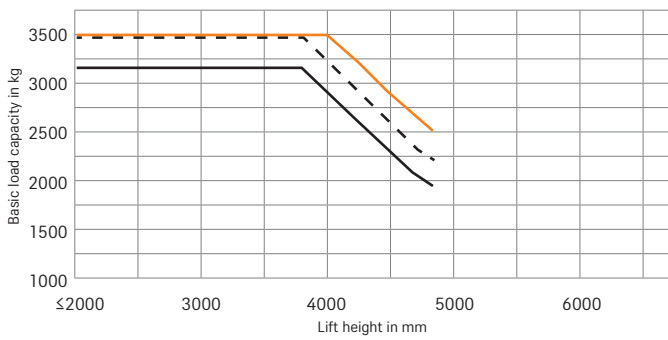
RCD/RCG 35 Plus  
Telescopic mast - Superelastic tyres



RCD/RCG 35 Plus  
Triplex mast - Superelastic tyres



RCD/RCG 35 Plus  
Triplex mast 4800 mm - Superelastic tyres

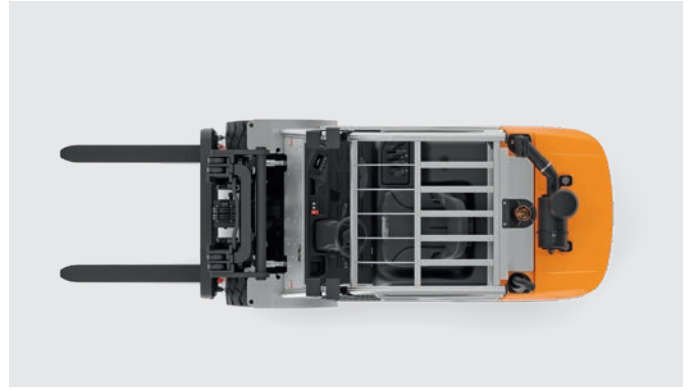


— Standard fork carriage    - - - Integrated side shifter    — Fitted side shifter  
Values may vary depending on the truck equipment.

## RCD/RCG Plus Diesel and LPG Forklift Trucks Detailed Photos



A conveniently positioned mast and a slightly offset operator's seat ensure good visibility



Narrow overhead guard bars allow the driver to have a clear view of everything up above



Ergonomically and intuitively designed operator's cab, where all control elements are in the field of vision and can be reached easily



Comfortable in every direction: The rear grab handle with integrated horn button ensures optimum safety and an ergonomic posture even when reversing



Comfortable entry and exit thanks to the grab handle and non-slip step edges



Direct transmission control: Quiet and smooth driving experience, even at low speeds and on ramps



Also available as an RCG with a powerful LPG engine



Ergonomic gas cylinder exchange: Swivelling fold-out holders make changing the LPG cylinder quick and easy



RCD/RCG Plus Diesel and LPG Forklift Trucks  
The access to success

---



## RCD/RCG Plus Diesel and LPG Forklift Trucks

### The access to success

---

High performance: Powerful and reliable industrial engine

Everything in sight: Optimum view of forks and load carriers thanks to slim mast profile

Maximum safety: Robust overhead guard plus optional safety light



The RCD/RCG Plus is sure to put you on the road to success. A truck that has been developed for all those who are looking for a robust counterbalanced truck in the low-cost segment, ready for immediate use - without having to forgo the proven STILL quality. Available in a diesel or LPG version and with a lifting capacity of 2.5 to 3.5 tonnes, the RCD/RCG is a versatile allrounder that offers an unmatched price-performance ratio - and an extra 'plus' in terms of efficiency, user-friendliness and ergonomics. In addition to its powerful engine, the redesigned steering wheel and the most comfortable seat of this vehicle class add to this, as do the modern display with optimised user interface and the optional multi-lever control with

clamp release. Whether you are handling containers, trailers or pallets, on ramps or on the flat, you can count on this counterbalanced forklift truck to safely transport your goods to their destination. The suspension system for the operator's cab absorbs any jolts and vibrations caused by uneven floors; the hydraulic system is also very easy to control; and the operator enjoys excellent visibility on all sides. Furthermore, you can choose from a wide range of equipment options to suit your particular logistics planning requirements. It might be an entry-level truck, but with all these benefits, the RCD/RCG more than lives up to STILL's exceptional quality standards.

### The 'Simply Efficient' factors: Performance attributes as a measure of economic efficiency

---



#### Simply easy

- Efficient, fatigue-free operation thanks to the ergonomically and intuitively designed operator's cab, where all control elements are in the field of vision and can be reached easily
- Ergonomic leg position and plenty of room to move in the spacious footwell
- Precise load handling and sensitive steering thanks to the separate inch pedal and the tried-and-tested STILL multi-lever hydraulics operation
- Unobstructed visibility for efficiency and safety: Large windows on all sides and narrow rear overhead guard bars provide a clear view of everything from the operator's seat
- High level of handling performance and safety thanks to the large colour display, which clearly summarises important information such as driving direction, fuel level and driving mode
- Direct transmission control: Quiet and smooth driving experience, even at low speeds and on ramps



#### Simply powerful

- Operational efficiency: The RCD/RCG 25-35 Plus can lift up to 3.5 tonnes with a load centre of 500 millimetres
- Impressive goods handling thanks to powerful, low maintenance industrial engines, a lifting height of up to 6.5 metres, as well as a maximum driving speed of 17 km/h - combined with excellent manoeuvrability
- Robust, long-lasting and low-maintenance: Use of durable materials for exposed components (steel instead of plastic) as well as additional covers for sensitive elements such as lights



#### Simply safe

- Very stable thanks to the truck's low centre of gravity
- Safe driving with the optional driver assistance function
- Reliable roll-away protection due to the mechanical, foot-operated parking brake
- Comfortable entry and exit thanks to the grab handle and non-slip step edges
- See and be seen: the RCD/RCG Plus can be equipped with further optional safety features such as panoramic rear-view mirrors, glass roof, sun visor and STILL Safety Light
- Comfortable in every direction: The rear grab handle with integrated horn button ensures optimum safety and an ergonomic posture even when reversing



#### Simply flexible

- Low-emission engine: Diesel and LPG engines both comply with Regulation (EU) 2016/1628 (Stage V emissions limits)
- Individual adjustment of the workplace thanks to three spacious storage areas and an infinitely adjustable steering column
- Driver comfort and ergonomic workplace: The operator's workplace can be flexibly adjusted to different operating conditions
- Safe and situational load handling thanks to the sensitive multi-lever operation



#### Simply connected

- Fast service analysis and parametrisation of settings thanks to CAN bus interface



# RCD/RCG Plus Diesel and LPG Forklift Trucks Equipment Variants



		Diesel RCD 25/30/35 Plus	LPG RCG 25/30/35 Plus
Driver's cab	Low operating costs due to low fuel consumption and long service intervals	●	●
	Steel overhead guard open on all sides	●	●
	Weather-protected or full cab with windscreen wiper/washer system	○	○
	Integrated storage	●	●
	4.3" colour display including operating hours counter	●	●
	Seat belt control	●	●
	MSG 65 Grammer seat with leatherette cover	●	●
	Grammer seat with textile cover and height-adjustable back extension	○	○
	Grab handle on front of protected roof	●	●
	Grab handle on back of protective roof with horn	●	●
	Document pocket	●	●
	USB port	●	●
	USB port and 12 V/10 A connection	○	○
	Removable clipboard	○	○
	Warm water heating	○	○
	Mast	Free view mast available in telescopic, HiLo and triplex versions	○
Load backrest		○	○
Hydraulic coupling with either fixed connection or quick-release coupling		●	●
Single or double ancillary hydraulics for telescopic, HiLo or triplex mast		○	○
6/10 degrees front/rear tilt		●	●
6/12 degrees front/rear tilt or 6/6 degrees front/rear tilt		○	○
Tyres	Load backrest	○	○
	Fork wear protection	○	○
	Superelastic, single tyres, SIT system	●	●
Operation	Superelastic, natural coloured, single tyres, SIT system	○	○
	Pneumatic tyres	○	○
Drive	Multi-lever operation	●	●
	Multi-lever operation with clamp release	●	●
	Powerful industrial diesel engine - complies with Euro 5 emissions limits	●	●
	Powerful industrial LPG engine - complies with Euro 5 emissions limits	—	●
	Regulated catalytic converter	—	●
	Diesel particle filter	●	●
	Raised exhaust pipe	●	●
	Low exhaust pipe	○	○
Brake	Diesel fuel tank, 62.7 litres	●	●
	Additional fuel filter	○	○
Safety	Ergonomic, foot-operated parking brake	●	●
	Mechanical/hydraulic service brake	●	●
	Low centre of gravity and steering axle with high self-aligning bearing for optimum safety	●	●
	Protective grille roof	○	○
	LED work lights and head lights	○	○
	Flashing light under the roof (protected)	○	○
	Speed limiter can be adjusted by service	○	○
	STILL Safety Light warning device	○	○
	Panoramic mirror	○	○
	Intelligent seat belt control	●	●
Safety zone light: Warning light bars to the left and right of the truck	○	○	
Easybelt seat belt support system for quick and safe fastening and unfastening	○	○	

● Standard ○ Option — Not available



STILL GmbH

Berzeliusstr. 10

22113 Hamburg

Germany

Tel.: +49 40 73 39 20 00

Fax: +49 40 73 39 20 01

info@still.de

**For further information please visit**

**[www.still.eu](http://www.still.eu)**

STILL is certified in the following areas: Quality management, occupational safety, environmental protection and energy management.



**first in intralogistics**